



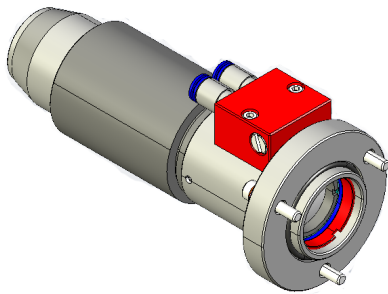
Introduction

SPI Collimators have been designed to be compatible with the redPOWER range of single and multi mode lasers, with diffraction limited performance.

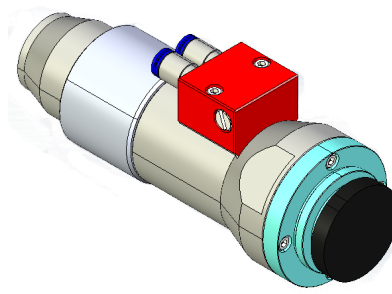
Each collimator consists of an industry standard receiver suitable for the PIPA-Q and a collimating lens, with a range of different termination styles and optional water cooling block for high reflectivity applications. Right angle variants are also available for system configuration flexibility, with an optional viewing path for C mount cameras.

Collimator Formats

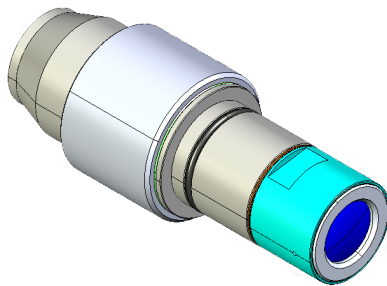
PQRU-S - Flange Mount



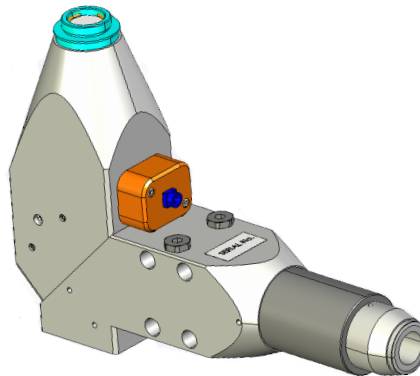
PQR3-S - M30 Thread



PQRB-S - Barrel Mount



PQRU-R/V - Right Angled/Viewing



Ordering Information

The table below show the product code format and gives the configuration options and description.

PQ(Type)-(Format)-(Recoll Lens f.l.)-00-0-00

Type	Format	Recoll Lens f.l.
RU - Recoll Unit, Flange Mount	S - Straight, In Line	00 - None
R3 - Recoll Unit, Thread Mount	R - Right Angle	60 - 60mm
RB - Recoll Unit, Barrel Mount	V - Right Angle, with viewing capability	76 - 76mm
		114 - 114mm
		157 - 157mm
		200 - 200mm

Benefits

- PIPA-Q fibers with industry standard mechanical interface
- Compatible with redPOWER range of single and multi mode lasers
- Range of focus lenses available
- Compact size
- Range of formats for increased application flexibility
- Option of water cooled block for high reflectivity applications

Specification

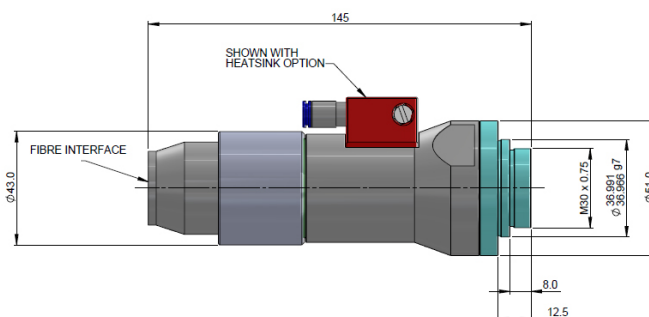
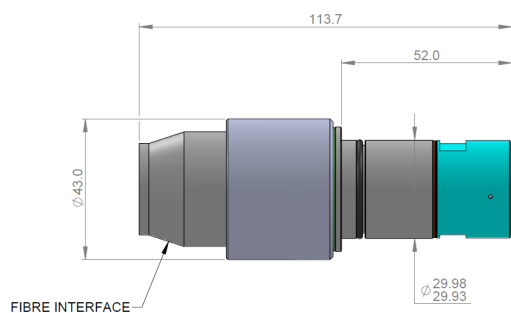
Collimators - 1/e2 Beam Diameters

Fiber Core Size (µm)		20	25	50	Enhanced 100	Standard 100	300
Laser BPP (mm.mrad)		0.38	0.38	2.10	3.30	4.50	13
Recoll f.l. (mm)	Format	Collimated Beam Diameter (mm)					
60	R3, RB	4.9	4.3	10	8	11	10
76	RU	6.2	5.5	13	10	14	13
114	RU	9.3	8.2	19	15	21	20
157	RU	13	11	x	21	x	x
200	RU	16	14	x	x	x	x

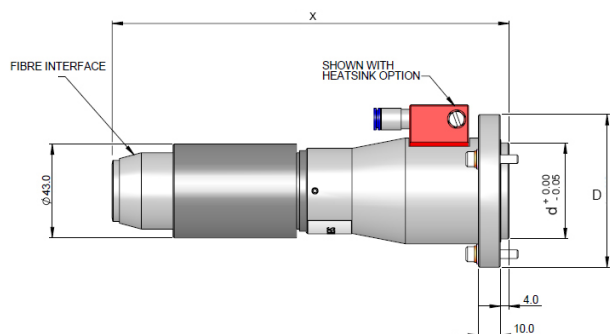
x Indicates that this fiber core/collimator focal length is not compatible

Dimensions

60mm - Barrel and M30 Thread

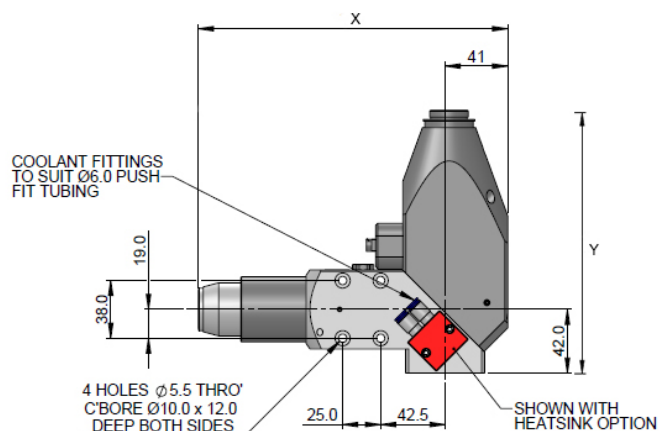


76/114/157/200 - Flange Mount



FL (mm)	X (mm)	d (mm)	D (mm)
76	143	33	60
114	182	44	70
157	230	44	70
200	273	44	70

76/114 - Right Angle with optional viewing (shown)



FL (mm)	X (mm)	Y (mm)
76	143	173
114	247	173